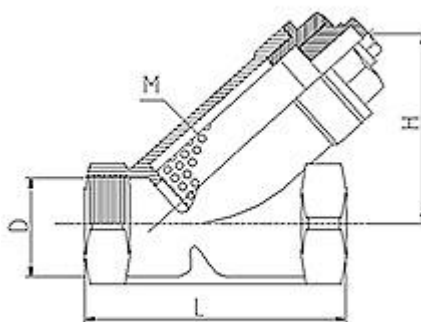


Art. 094

### Filtr siatkowy



DN	D	L	H	M	Waga (kg)
10	3/8"	65	45	1	0,230
15	1/2"	65	45	1	0,240
20	3/4"	80	53	1	0,360
25	1"	90	68	1	0,690
32	1.1/4"	105	72	1	0,860
40	1.1/2"	120	80	1	1,350
50	2"	140	97	1	2,370